

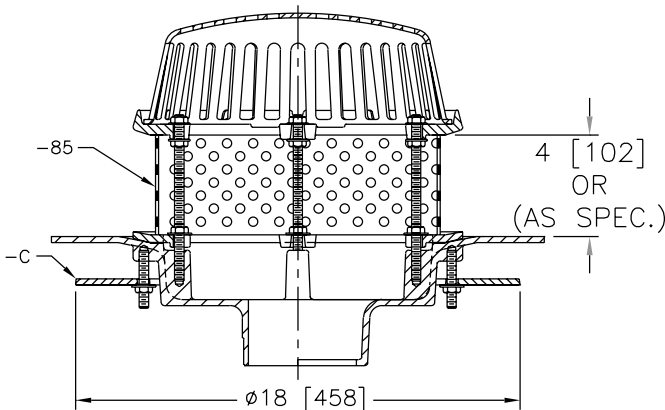
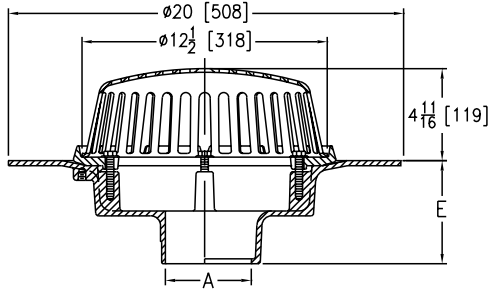
Z107 20" WIDE DECK FLANGE ROOF DRAIN



ENGINEERING SPECIFICATION

Zurn Z107 20" diameter wide deck flange roof drain features Dura-Coated cast iron body with combination membrane flashing clamp/gravel guard and low silhouette polydome.

A Pipe Size inches [mm]	Dome Open Area sq in [cm ²]	Approximate Weight lb [kg]
3 [76], 4 [102]	103 [665]	39 [18]
6 [152], 8 [203]		



Shown with -C-85 Options

ZURN Z107-C-85 20" diameter Wide Deck Flange Roof Drain, as specified above, with perforated extension with flat clamp collar (-85), and Dura-Coated cast iron underdeck clamp (-C).

PREFIXES	DESCRIPTION	PIPE SIZE	LIST PRICE
Z107*	D.C.C.I. Body with Polydome	3", 4"	2,023.00
		6", 8"	2,324.00
ZA107	D.C.C.I. Body with Aluminum Dome	3", 4"	2,265.00
		6", 8"	2,567.00
ZC107	D.C.C.I. Body with Cast Iron Dome	3", 4"	2,222.00
		6", 8"	2,529.00

OUTLETS (SPECIFY PIPE SIZE IN INCHES AND TYPE OF OUTLET)			
OUTLET TYPE	OUTLET DESIGNATION (PIPE SIZE/OUTLET TYPE)	E BODY HT. DIM.	ADD
IC	Inside Caulk	3IC, 4IC, 6IC	5-1/4" N/C
IP	Threaded	3IP, 4IP	5-1/4" 80.00
NH	No-Hub	3NH, 4NH, 6NH, 8NH	5-1/4" N/C

SUFFIXES			ADD
-AC	Angular Underdeck Clamp		489.00
-AR	Acid Resistant Epoxy Coated Finish		1,355.00
-AW	Adjustable Water Level Regulator 3/4" thru 4" (ZC Only)		883.00
	For Each Additional 1" above 4" - Per Inch (Specify Height)		242.00
-C	Underdeck Clamp		244.00
-E	Static Extension 1" thru 4" (Specify Height)	D.C.C.I.	660.00
		Galv.	995.00
-EA	Adjustable Extension Assembly 2-1/8" thru 3-1/2"	D.C.C.I.	158.00
		Galv.	242.00
-EA	Adjustable Extension Assembly 2-1/8" thru 3-1/2"	D.C.C.I.	704.00
		Galv.	1,045.00
-FG	Flush Grate (Replaces Dome Strainer)		687.00
-G	Galvanized Cast Iron		957.00
-SS	Stainless Steel Mesh Screen Over Dome		502.00
-VP	Vandal-Proof Secured Top		125.00
-W2	2" Internal Water Dam		420.00
-W3	3" Internal Water Dam		420.00
-W4	4" Internal Water Dam		420.00
-84	Stainless Steel Perforated Gravel Guard 1" thru 4"		784.00
		For Each Additional 1" above 4" - Per Inch (Specify Height)	79.00
-85	Stainless Steel Perforated Extension 1" thru 4"		784.00
		For Each Additional 1" above 4" - Per Inch (Specify Height)	79.00
-89	2" High External Water Dam		233.00

BEST SELLERS	LIST PRICE
Z107-3NH	2,023.00
Z107-3NH-FG	2,710.00

Supplied By:



877-903-7246

www.commercialplumbingsupply.com

For additional product information, please visit www.zurn.com.

*Regularly furnished unless otherwise specified.

Items designated as Best Sellers are most specified and are generally in stock for shipment.

© This symbol denotes a product that is engineered to reduce installation and rework time.